

ICONIX

The World's Smallest HD Video Camera HD-RH1 Digital I/O Option

The World's Most Versatile
Camera Has Become
Even More Flexible.

The revolutionary HD-RH1 is even more powerful with a factory-installed Digital I/O package that includes twin Fiber Optic outputs, and the capability for genlocking to a serial digital signal.

Features Include:

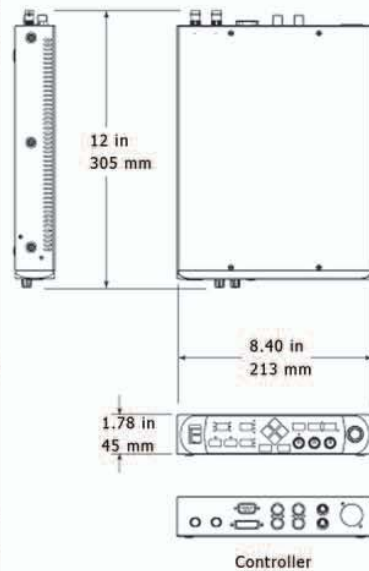
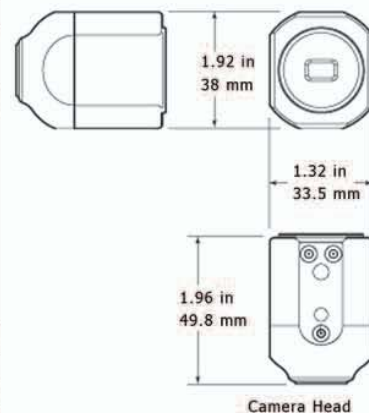
- Fiber Optic directly from camera
- Uses industry-standard fiber SFP modules
- Dual-Link and Single-Link capability
- Genlock from Fiber, SDI, or Analog
- Simultaneous fiber genlock and transmission (with transceiver SFP module)



HD-RH1 With Digital I/O Option

ICONIXVIDEO.COM

Image Sensor	1/3-inch Progressive Square Pixel CCD	
Optical System	1/3-inch 3-CCD Prism System	
Limiting Resolution	700 TV Lines (720p) 900 TV Lines (1080i/p)	
Lens Mount	C-Mount	
Scanning System	1080p:	60, 59.94, 50, 30, 29.97, 25, 24 23.98
	1080sF:	30, 29.97, 25, 24 23.98
	1080i:	60, 59.94, 50
	720p:	60, 59.94, 50, 30, 29.97, 25, 24 23.98 30n60, 29.97n59.94, 25n50, 24n60, 23.98n59.94
	576:	50
	480:	59.94
Sensitivity	F/8 @ 2000 lux	
Signal/Noise Ratio	52dB typical, Y Channel	
Quantization	14-Bit	
Gamma	On/Off	
White Balance	Automatic (AWB) or Manual	
Black Balance	Automatic	
Gain	0 dB to 15 dB, Manual or Fixed	
Electronic Shutter	Fixed, Variable	
Scene File	3 User-Programmable Profiles	
Sync System	Internal or Genlock to analog sync	
Output Signals	BNCx3, 1Vpp, 75Ohm, RGB/YPbPr Sync on Y/G or YPbPr/RGB HD-SDI/SD-SDI (SMPTE-292/SMPTE-259) BNC x2, Fiber Optic* x2: Two Single-Link 4:2:2 Dual Link 4:4:4: RGB Dual Link 4:4:4 YCbCr Dual Link 4:2:2 YCbCr for 1080p: 60, 59.94, 50 DVI-I: RGB, YCbCr	
Input Signals	Genlock Input: HD-SDI & SD-SDI: BNC x1 (SMPTE 292M, SMPTE 259M) Fiber Optic: HD or SD with SFP transceiver or receiver module Analog: Tri-Level (HD) or Bi-Level Sync (SD) Remote-Control: RS-232	
Power Requirements	12VDC, 30W	
Weight	Head: 2.3 Oz (64g) Controller: 3.5lbs (1.2kg)	
Dimensions	Head: 1.32"W x 1.50"H x 1.96"D (33.5x38x49.8mm) Controller: 9.4"W x 1.78"H x 12"D (213x45x305mm)	
Tripod Mount	Optional Adapter with 1/4"-20 and 3/8"-16 Thread	
Fiber Optic Receptacle	Accepts Industry-Standard SFP modules; dual/single Tx, dual/single Rx** or transceiver (1 Tx and 1 Rx)	



* Digital I/O option comes with dual Tx module. Other modules sold separately.

**When dual Rx is used (for genlock) only Rx channel 1 is active.

HD-RH1 Camera System: Camera Head, CCU, Power Supply



Iconix Video, Inc
7402 Hollister Ave
Goleta, CA 93117

800.783.1080
Fax 805.690.3655

Features and Specifications subject to change without notice

Made in the U.S.A